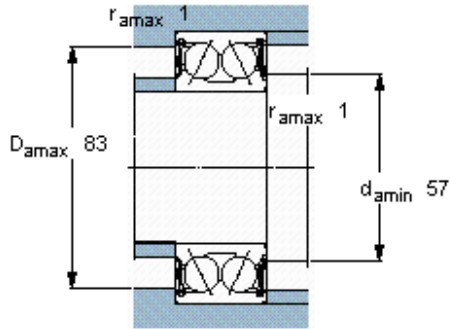
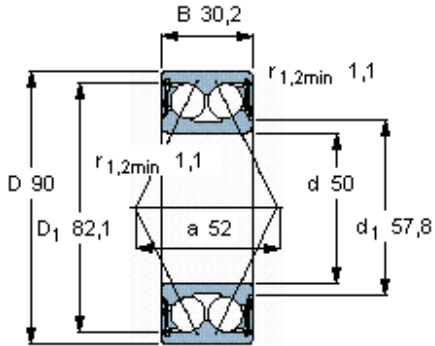


Angular contact ball bearings, double row

Principal dimensions			Basic load ratings		Speed ratings		Designation
d	D	B	dynamic C	static C0	Reference speed r/min	Limiting speed	
mm			kN				* SKF Explorer bearing
50	90	30,2	51	39	-	4800	3210 A-2RS1TN9/MT33 *



Calculation factors

- k_r 0,06
- e 0,8
- X 0,63
- Y_1 0,78
- Y_2 1,24
- Y_0 0,66